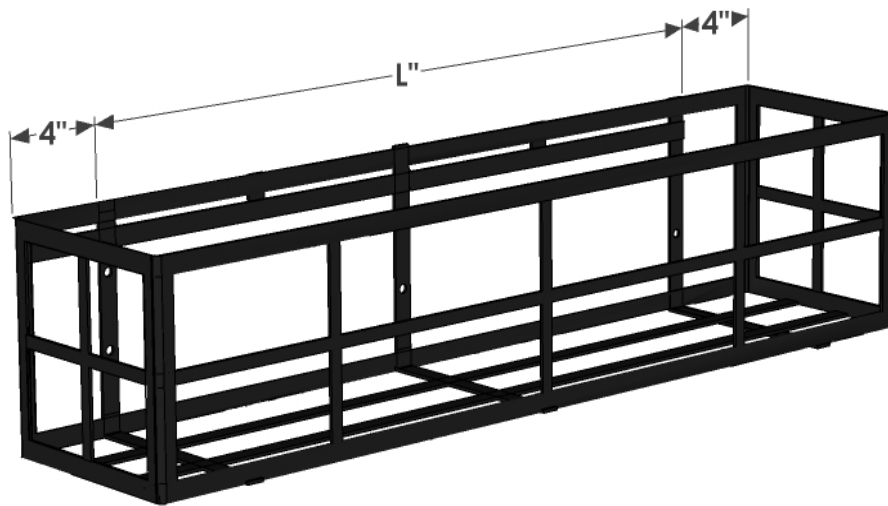


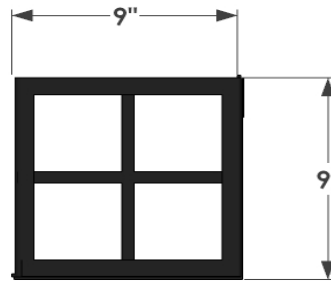
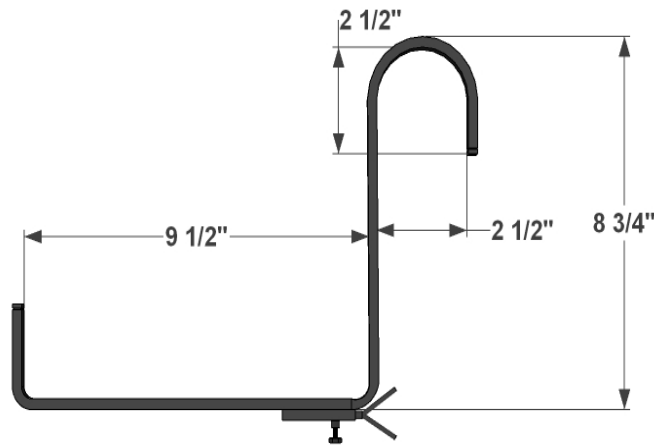
PERSPECTIVE VIEW



SIZE	L= Actual Dimensions for Liner Fitment
24"	25"L x 9"W by 9" H
30"	31"L x 9"W by 9" H
36"	37"L x 9"W by 9" H
42"	43"L x 9"W by 9" H
48"	49"L x 9"W by 9" H
60"	61"L x 9"W by 9" H
72"	73"L x 9"W by 9" H


RAILING BRACKET PERSPECTIVE VIEW

SIDE VIEW



GENERAL NOTES

1. Frame, Back and Bottom supports: 3/4"W x 3/16" Thk Flat Bar
2. Design: 1/2"W x 3/16" Thk Flat Bar
3. Mounting Holes 0.28" dia. (7mm)
4. Window box will rest on top of bracket
5. Place bracket evenly-no more than 24" between brackets for quality support.
6. The 60" and 72" sizes will come with two pairs of railing brackets

 6056 Corte Del Cedro, Carlsbad, CA 92011 service@windowbox.com 888-427-3362	PRODUCT DESCRIPTION		SKU		ORDER NUMBER	CUSTOMER SIGNATURE
	Simple Elegance Window Box Cage w/ Round Rail Brackets		547C-X-414RB95			
	DIMENSIONS	COLOR	FINISH	REP:	DB:	DATE

