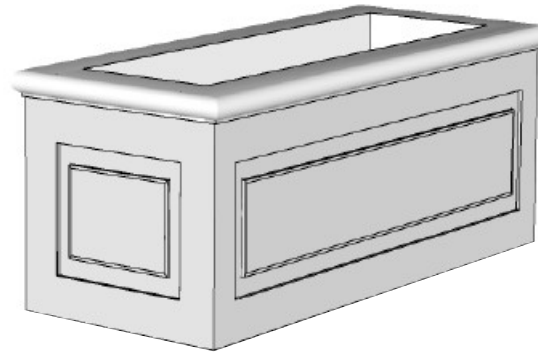
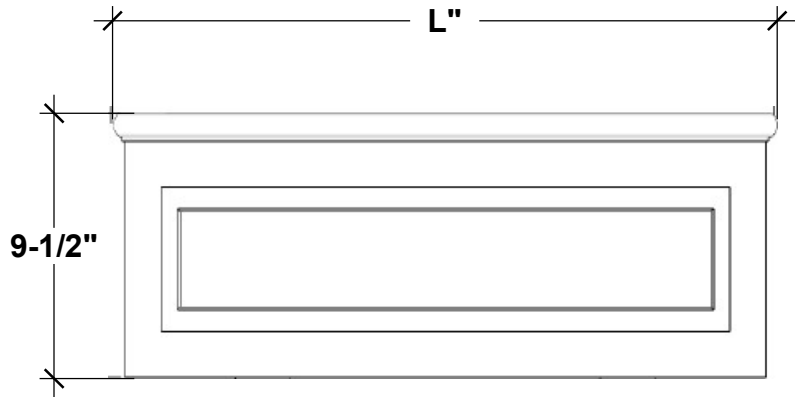
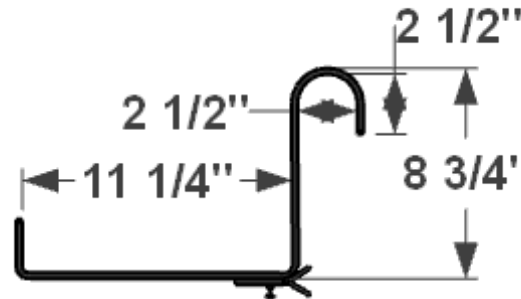
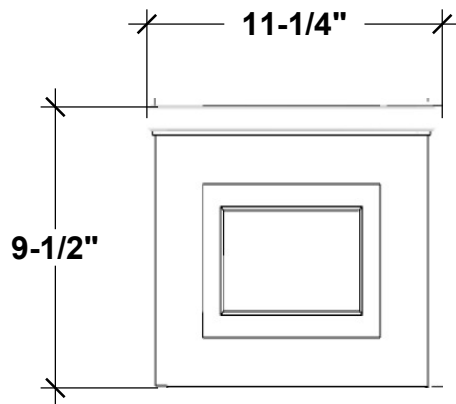


TOP VIEW



Length Sizes
24"
30"
36"
48"
60"
72"

SIDE VIEW



Finish Options
Natural
Painted White

GENERAL NOTES
1. Standard Drainage Holes 2. Window Box will rest on Bracket Shelf. Place brackets evenly-no more than 24" between brackets for quality support.

windowbox.com

A CARLSBAD MANUFACTURING COMPANY

1 (888) 427-3362

WindowBox.com

PRODUCT DESCRIPTION				SKU				PREPARED FOR	APPROVAL SIGNATURE
TRADITIONAL CEDAR RAILING PLANTER				W1-FPC-X-414RB1125					
DIMENSIONS	MATERIAL	COLOR / FINISH	REP	DB	DATE	REV	ORDER #	PROJECT / SIDEMARK / IF#	APPROVAL DATE
	CEDAR WOOD		Cressa	RM	03/2025				

PLEASE NOTE: Due to the handmade nature of our products, individual measurements may vary from those listed. The provided dimensions are for reference only

All images are the intellectual property of windowbox.com. Reproduction in any form is strictly prohibitive without the express written permission of windowbox.com. All designs are property of windowbox.com.