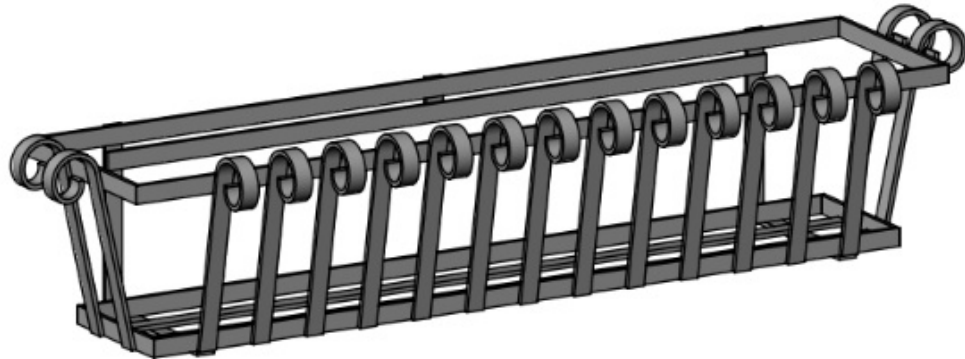
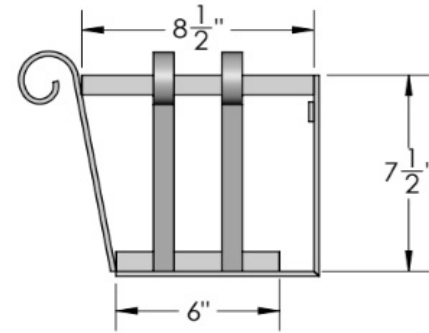


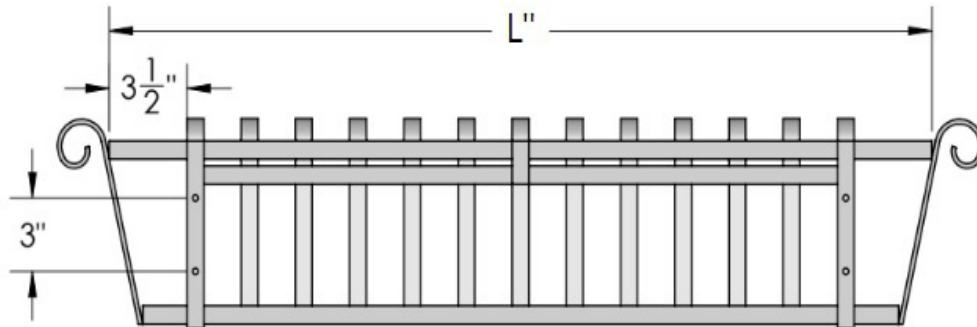
PERSPECTIVE VIEW



SIDE VIEW




BACK VIEW



SIZE	L= Actual Dimensions for Liner Fitment
24"	25" Top 22" Bottom
30"	31" Top 28" Bottom
36"	37" Top 34" Bottom
42"	43" Top 40" Bottom
48"	49" Top 46" Bottom
60"	61" Top 58" Bottom
72"	73" Top 70" Bottom

GENERAL NOTES

1. Frame, back and bottom supports: 3/4"W x 1/8" Thk Flat Bar
2. Scrollwork: 3/4" x 3/16" Thk Bar, 2" Scrolls Adds 4" to length and 2" to width
3. Mounting Holes: Ø 1/4"
4. (7mm) clearance between back bars to allow 1/4" log bolt to mount anywhere along slot.
5. Scrolls placed 2 1/2" OC consistency along length of box 2

 6056 Corte Del Cedro, Carlsbad CA 92011 1-888-320-0626/service@plantersunlimited.com www.plantersunlimited.com	PRODUCT DESCRIPTION		SKU		ORDER NUMBER	CUSTOMER SIGNATURE
	Venetian Window Box		512B-X			
	DIMENSIONS	COLOR	FINISH	REP:	DB:	DATE
	Black	Powder Coated				

