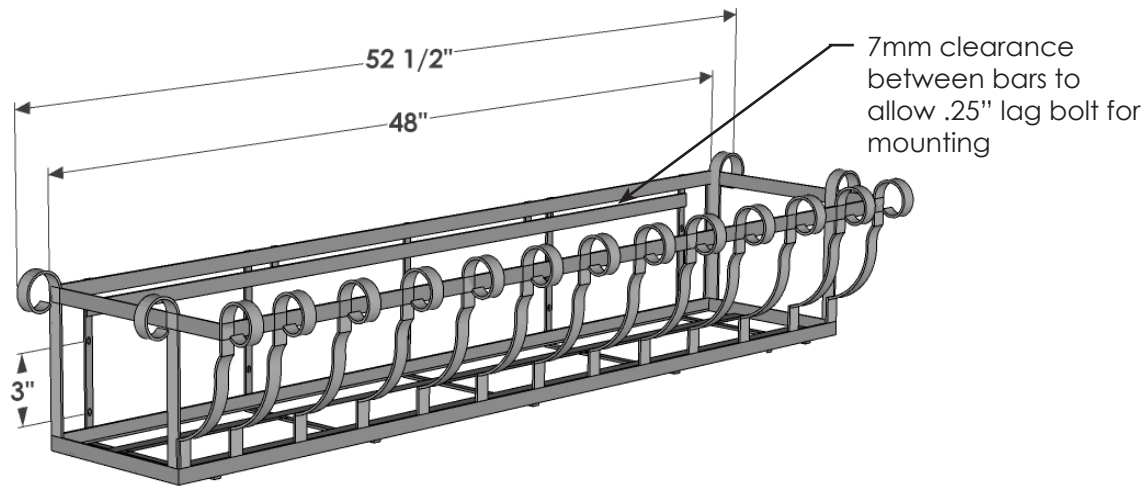
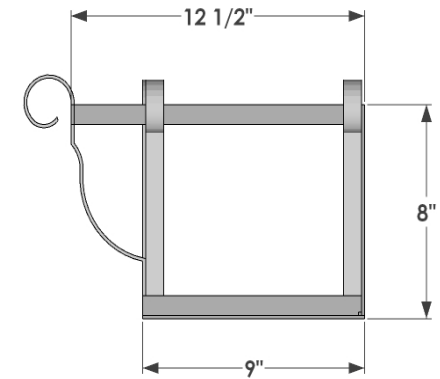


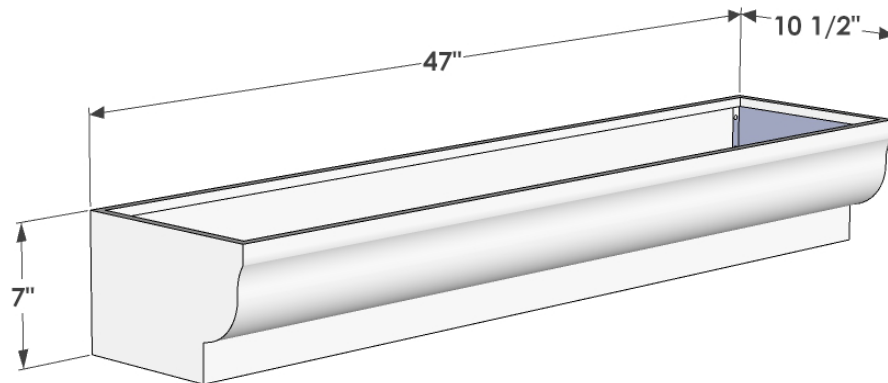
PERSPECTIVE VIEW



CAGE SIDE VIEW




LINER PERSPECTIVE VIEW



GENERAL NOTES

1. Scrolls add 4.5" to overall length.
2. (2) flat bar scrolls on each end.
3. Scrolls and Cage fabricated with 3/4" x .1875" flat bar.
4. Mounting Holes .28" dia (7mm).

|  6056 Corte Del Cedro, Carlsbad CA 92011 1-888-320-0626/service@plantersunlimited.com www.plantersunlimited.com | PRODUCT DESCRIPTION | | SKU | | ORDER NUMBER | CUSTOMER SIGNATURE |
|---|--|-------|------------|------|--------------|--------------------|
| | Pacific Heights Window Box with Copper Liner | | 514B-CU-48 | | | |
| | DIMENSIONS | COLOR | FINISH | REP: | DB: | DATE |
| | | | | | | |

