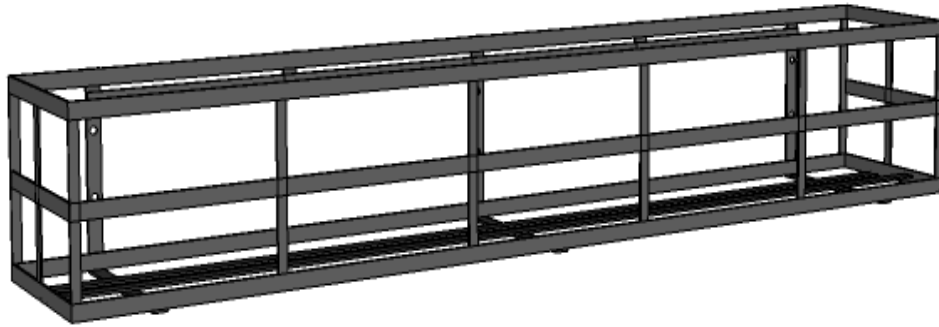
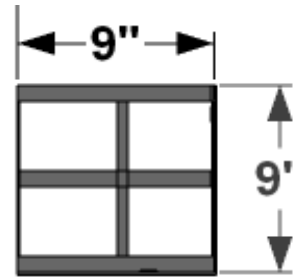


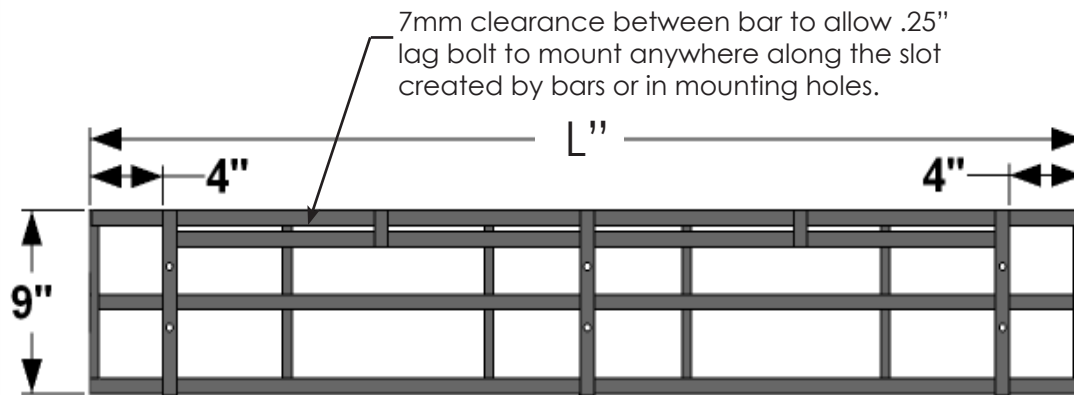
PERSPECTIVE VIEW



SIDE VIEW




BACK VIEW



SIZE	L= Actual Dimensions for Liner Fitment
24"	25"L x 9"W by 9" H
30"	31"L x 9"W by 9" H
36"	37"L x 9"W by 9" H
42"	43"L x 9"W by 9" H
48"	49"L x 9"W by 9" H
60"	61"L x 9"W by 9" H
72"	73"L x 9"W by 9" H

GENERAL NOTES

1. Two rows of rectangles on the front to be evenly spaced across length and height of windowbox.
2. Design on ends to be evenly divided between length and height of windowbox
3. Design to be fabricated with 1/2" flat bar
4. Cage frame and supports fabricated with 3/4" x 1/8" Flat bar.
5. Mounting Holes 0.28" dia. (7mm)

 6056 Corte Del Cedro, Carlsbad CA 92011 1-888-320-0626/service@plantersunlimited.com www.plantersunlimited.com	PRODUCT DESCRIPTION		SKU		ORDER NUMBER	CUSTOMER SIGNATURE
	Simple Elegance Window Box Cage		547C			
	DIMENSIONS	COLOR	FINISH	REP:	DB:	DATE
	Black	Powder Coated				

