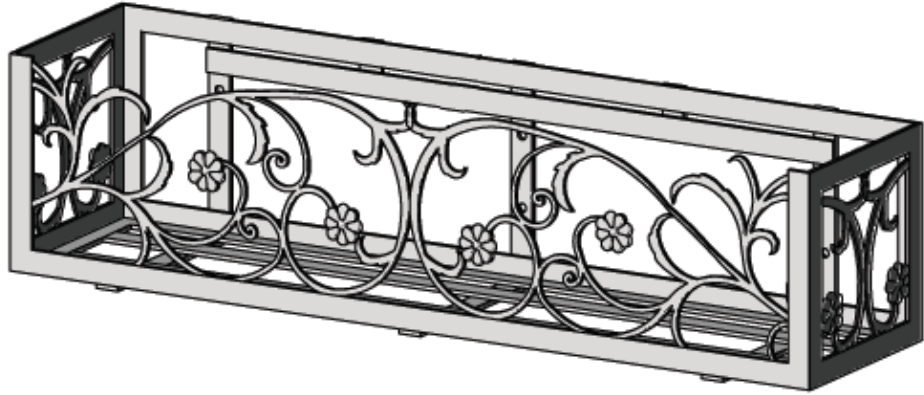
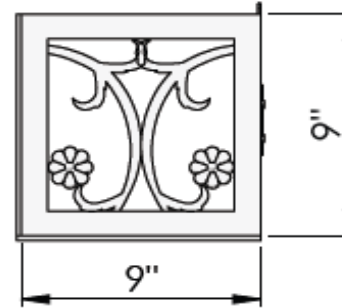


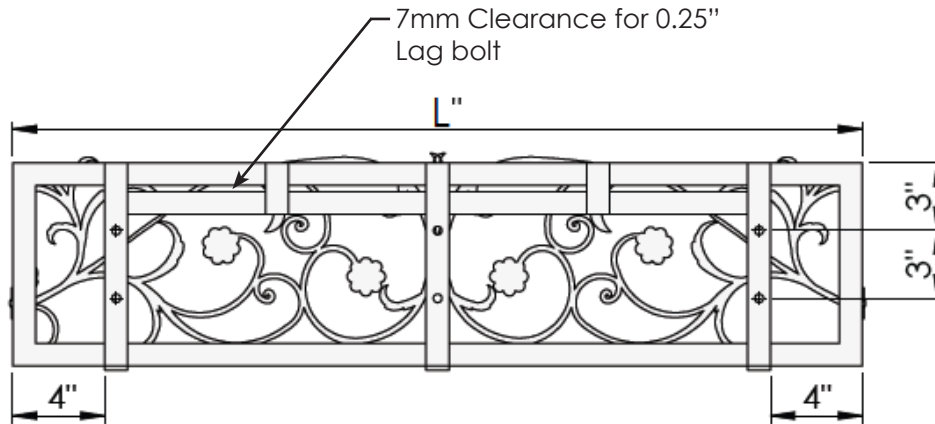
PERSPECTIVE VIEW



SIDE VIEW




BACK VIEW



SIZE	L= Actual Dimensions for Liner Fitment
24"	25" L x 9" W x 9" H
30"	31" L x 9" W x 9" H
36"	37" L x 9" W x 9" H
42"	43" L x 9" W x 9" H
48"	49" L x 9" W x 9" H
60"	61" L x 9" W x 9" H
72"	73" L x 9" W x 9" H

GENERAL NOTES

1. Frame, 1"x.1875" Angle Aluminum. Bottom and Rear Supports 1" Aluminum Flat bar
2. Aluminum Floral Panels (KM 11-750), Use KM Panel or Manufacture to Specification. See Detail for How to Cut Pattern
3. Mounting Holes 3/8"
4. 7 mm clearance between Back Bars to allow .25" lag bolt to mount anywhere along slot created by double back bars or in mounting holes.

 6056 Corte Del Cedro, Carlsbad CA 92011 1-888-320-0626/service@plantersunlimited.com www.plantersunlimited.com	PRODUCT DESCRIPTION		SKU		ORDER NUMBER	CUSTOMER SIGNATURE
	French Quarter Aluminum Windowbox		CM-701-X			
	DIMENSIONS	COLOR	FINISH	REP:	DB:	DATE
	Black	Powder Coated				

