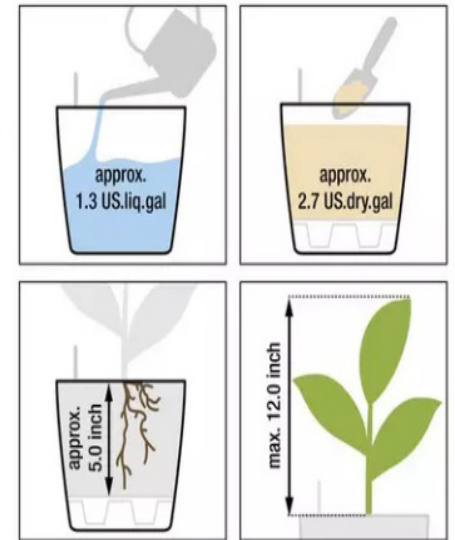
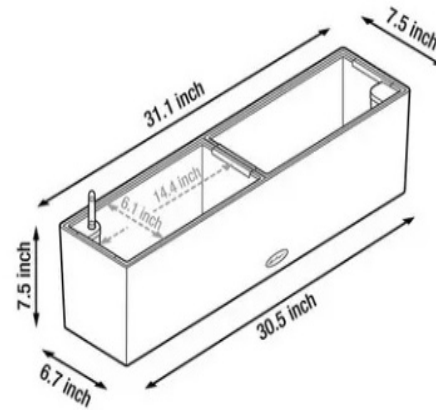
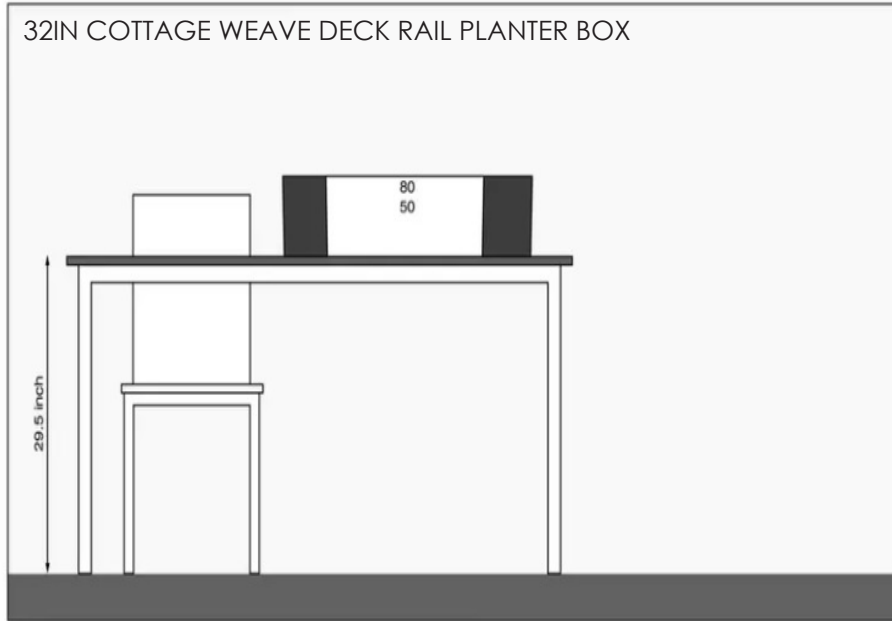



32IN COTTAGE WEAVE DECK RAIL PLANTER BOX



GENERAL NOTES

Blank area for general notes.

 6056 Corte Del Cedro, Carlsbad CA 92011 1-888-320-0626/service@plantersunlimited.com www.plantersunlimited.com	PRODUCT DESCRIPTION		SKU		ORDER NUMBER	CUSTOMER SIGNATURE
	Cottage Weave Window Box		L5-CTTGWV-32			
	DIMENSIONS	COLOR	FINISH	REP:	DB:	DATE

