

Provincial Vinyl Window Box Kit

Description

- Features a double wall design creating a water reservoir
- 100% high-grade vinyl with built in UV inhibitors
- Ready-to-assemble kit requires minor assembly
- Weather resistant, low maintenance vinyl
- Includes 2 wall mount brackets with a black powder coated finish
- Warranty: 15-Yr Residential Use / 5-Yr Commercial Use

Product Dimensions

Outside Dimensions: L" x 11"H x 10.8"H (Lcm x 27.9cm x 27.4cm)

Inside Dimensions: L" x 7.4"W x 8"D (Lcm x 18.9cm x 20.3cm)

Soil Capacity: 12.5 Gallons (47 Liters)

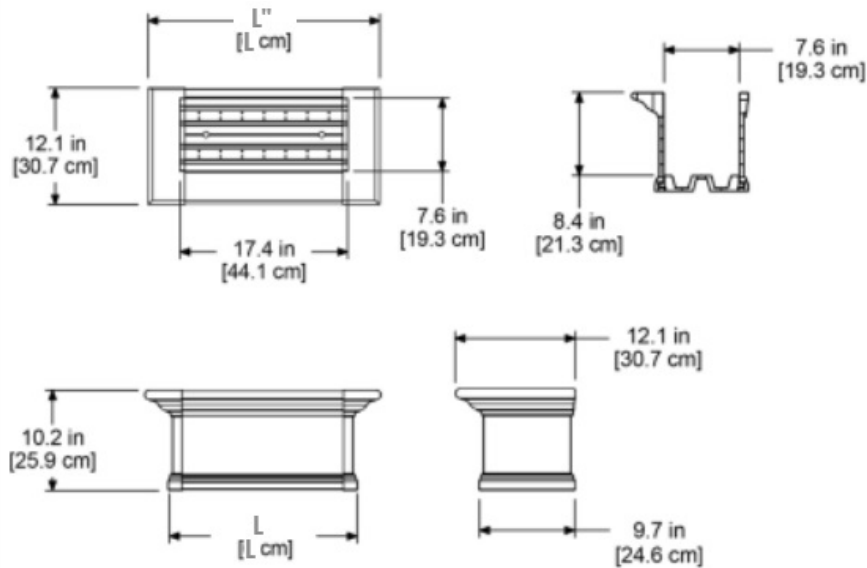
Water Reservoir Capacity: 4.7 Gallons (17.8 liters)

Wall Thickness: 0.125" (3.17mm)


Part Weight: 23lbs. (10.5 kg)

Material: Polyethelene

L SIZE	SKU
24"	M7-4822
36"	M7-4823
48"	M7-4824
60"	M7-4825
72"	M7-4826
84"	M7-8827
96"	M7-8828



GENERAL NOTES

 6056 Corte Del Cedro, Carlsbad CA 92011 1-888-320-0626/service@plantersunlimited.com www.plantersunlimited.com	PRODUCT DESCRIPTION		SKU		ORDER NUMBER	CUSTOMER SIGNATURE
	Provincial Vinyl Window Box Kit		M7-XXXX			
	DIMENSIONS	COLOR	FINISH	REP:	DB:	DATE

