

# Promenade Vinyl Window Box

## Description

- Made from 100% high-grade polyethelene
- Features a double wall design creating a water reservoir
- Includes 3 wall mount brackets with a black powder coated finish
- Warranty: 15- Yr residential use/ 5- Yr Commercial use

## Product Dimensions

**Outside Dimensions:** 36"L x 11"H x 10.8"H (121.9cm x 24.8cm x 25.7cm)

**Inside Dimensions:** 32.4" x 7.4"W x 8"D (82.4cm x 18.9cm x 20.3cm)

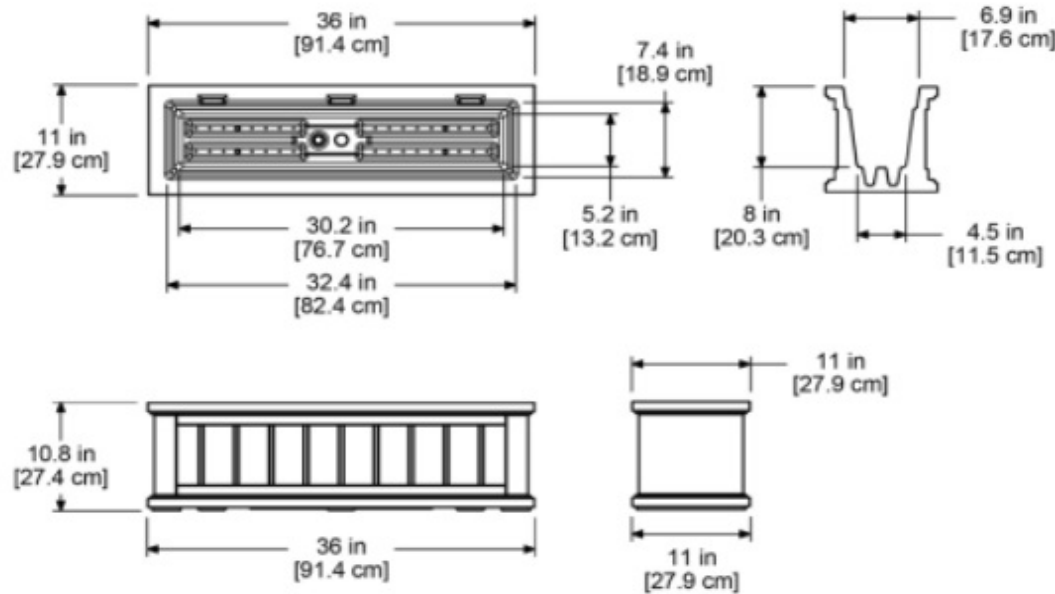
**Soil Capacity:** 7 Gallons (26.5 Liters)

**Water Reservoir Capacity:** 3 Gallons (11.35 liters)

**Wall Thickness:** 0.125" (3.17mm)


**Part Weight:** 13.5lbs. (6.1 kg)

**Material:** Polyethelene



### GENERAL NOTES

--

 6056 Corte Del Cedro, Carlsbad CA 92011 1-888-320-0626/service@plantersunlimited.com www.plantersunlimited.com	PRODUCT DESCRIPTION		SKU		ORDER NUMBER	CUSTOMER SIGNATURE	
	Promenade 36" Window Box		M7-4840				
	DIMENSIONS	COLOR	FINISH	REP:	DB:	DATE	

