

Prestige Window Box

Description

- Beautiful New England window box design
- Made from 100% high-grade polyethelene
- Features a double wall design creating a water reservoir
- Included 3 wall mount brackets with a black powder coated finish
- Warranty: 15-Yr Residential Use / 5-Yr Commercial Use

Product Dimensions

Outside Dimensions: 36"L x 11"H x 10.8"H (91.9cm x 27.9cm x 27.4cm)

Inside Dimensions: 32.4" x 7.4"W x 8"D (82.4cm x 18.9cm x 20.3cm)

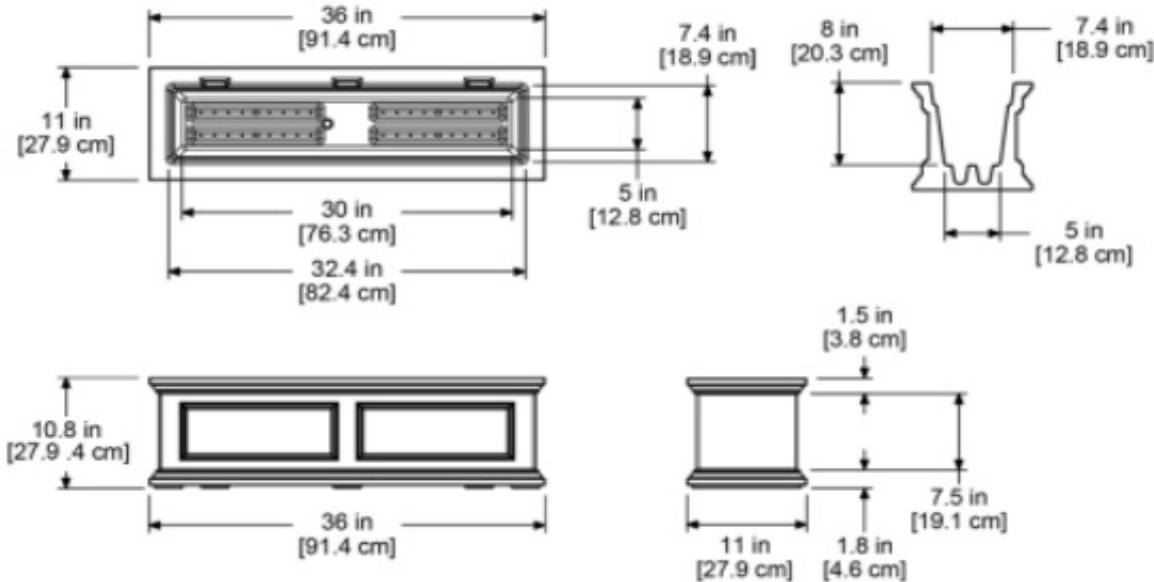
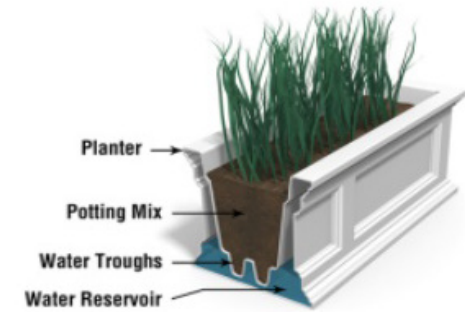
Soil Capacity: 6.5 Gallons (24.6 Liters)

Water Reservoir Capacity: 3 Gallons (11.35 liters)

Wall Thickness: 0.125" (3.17mm)


Part Weight: 13.5lbs. (6.1 kg)

Material: Polyethelene



GENERAL NOTES

--

 6056 Corte Del Cedro, Carlsbad CA 92011 1-888-320-0626/service@plantersunlimited.com www.plantersunlimited.com	PRODUCT DESCRIPTION		SKU			ORDER NUMBER	CUSTOMER SIGNATURE
	Prestige Window Box		M7-5822				
	DIMENSIONS	COLOR	FINISH	REP:	DB:	DATE	

