

Prestige Window Box

Description

- Beautiful New England window box design
- Made from 100% high-grade polyethelene
- Features a double wall design creating a water reservoir
- Included 3 wall mount brackets with a black powder coated finish
- Warranty: 15-Yr Residential Use / 5-Yr Commercial Use

Product Dimensions

Outside Dimensions: 48"L x 11"H x 10.8"H (121.9cm x 27.9cm x 27.4cm)

Inside Dimensions: 44.4" x 7.4"W x 8"D (112.9cm x 18.9cm x 20.3cm)

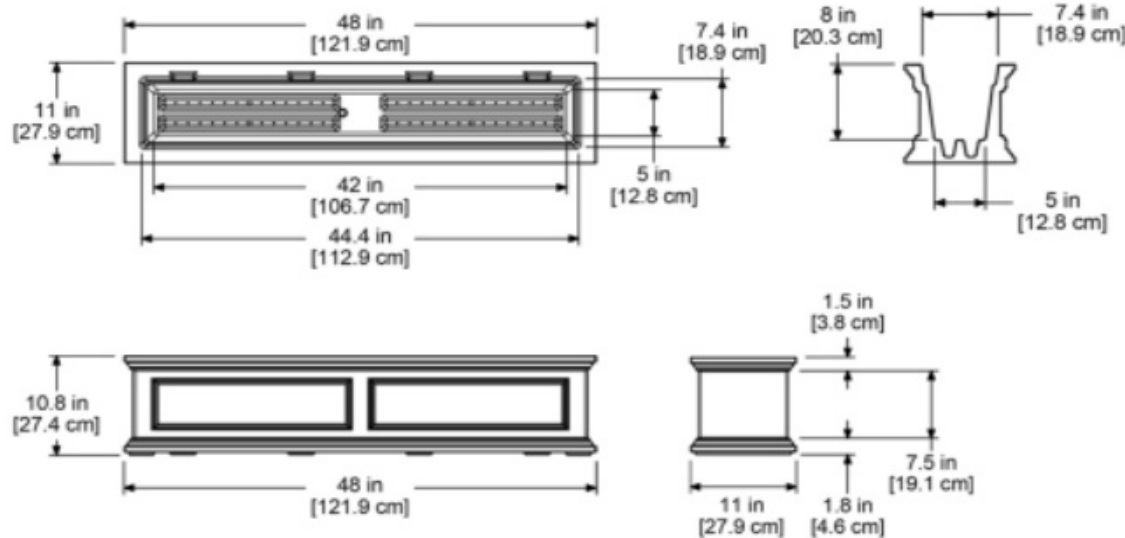
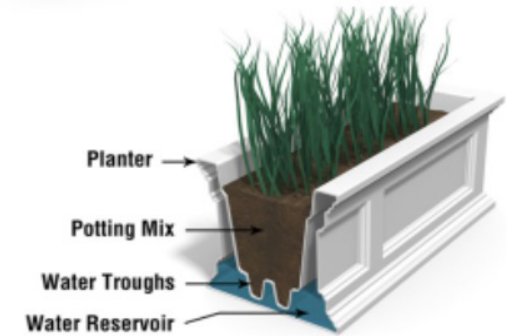
Soil Capacity: 9.5 Gallons (36 Liters)

Water Reservoir Capacity: 4 Gallons (15.14 liters)


Wall Thickness: 0.125" (3.17mm)

Part Weight: 20lbs. (9.1 kg)

Material: Polyethelene



GENERAL NOTES	

 6056 Corte Del Cedro, Carlsbad CA 92011 1-888-320-0626/service@plantersunlimited.com www.plantersunlimited.com	PRODUCT DESCRIPTION		SKU		ORDER NUMBER		CUSTOMER SIGNATURE	
	Prestige 48" Window Box		M7-5823					
	DIMENSIONS		COLOR	FINISH	REP:	DB:	DATE	

