

# Prestige Window Box

## Description

- Beautiful New England window box design
- Made from 100% high-grade polyethelene
- Features a double wall design creating a water reservoir
- Included 3 wall mount brackets with a black powder coated finish
- Warranty: 15-Yr Residential Use / 5-Yr Commercial Use

## Product Dimensions

**Outside Dimensions:** 60"L x 11"H x 10.8"H (152.4cm x 27.9cm x 27.4cm)

**Inside Dimensions:** 58.4" x 7.4"W x 8"D (143.4cm x 18.9cm x 20.3cm)

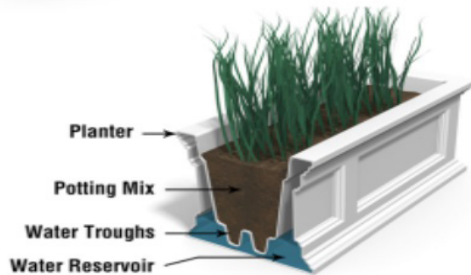
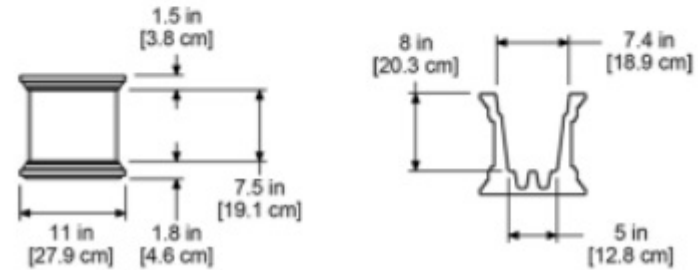
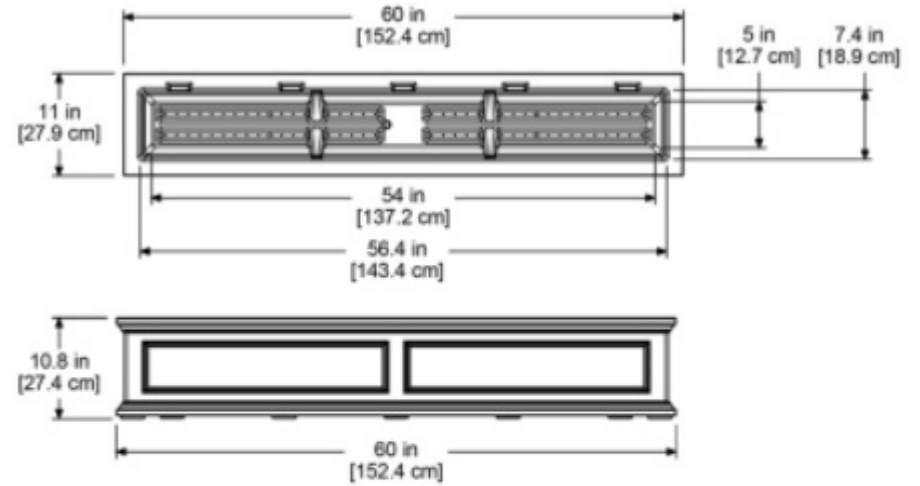
**Soil Capacity:** 12.5 Gallons (47 Liters)

**Water Reservoir Capacity:** 4.7 Gallons (17.8 liters)

**Wall Thickness:** 0.125" (3.17mm)


**Part Weight:** 23lbs. (10.5 kg)

**Material:** Polyethelene



## GENERAL NOTES

--

 6056 Corte Del Cedro, Carlsbad CA 92011 1-888-320-0626/service@plantersunlimited.com www.plantersunlimited.com	PRODUCT DESCRIPTION		SKU				ORDER NUMBER	CUSTOMER SIGNATURE
	Prestige 60" Window Box		M7-5824					
	DIMENSIONS	COLOR	FINISH	REP:	DB:	DATE		

